

1076 001

Floodlight for halogen lamps



- Deep drawn stainless steel housing
- Instant light provided by halogen lamps
- No tools required to open the housing

Application

Decks and holds, ramps, industrial and sport areas

Design

According to rules of maritime classification societies, additional VDE and IEC / EN

Housing

Stainless steel deep drawn, seamless

Finish

Powder coated white RAL 9016 and enamelled up to 70 - 80 µm thickness

Pane

Safety glass

Reflector

Highly polished aluminium, anodized

Electric

Flexible wiring, silicone insulated, heat resistant up to 180° C; exterior connection box; terminal 3 - pole / 6 mm²



Lamp base

R7s, L=114.2 mm

Light sources

(Not included) Halogen lamp L 114.2 mm, 200W / 300W / 500W

Mounting

Adjustable bracket with 5 mounting holes, dia. 11 / 14 mm

Cable entry

Brass cable gland M 24 x 1.5 MGCG; standard for cable dia. 10 to 12.5 mm

Remark

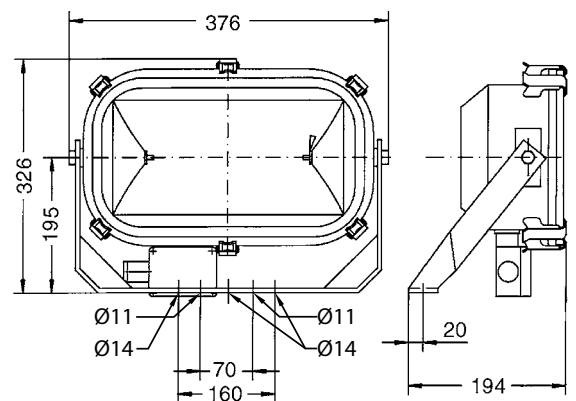
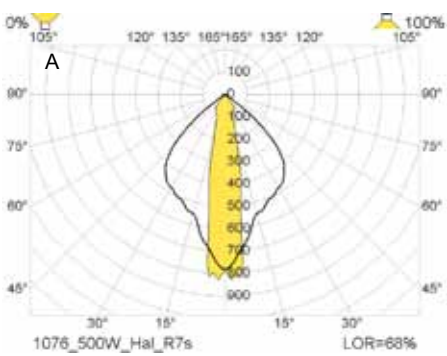
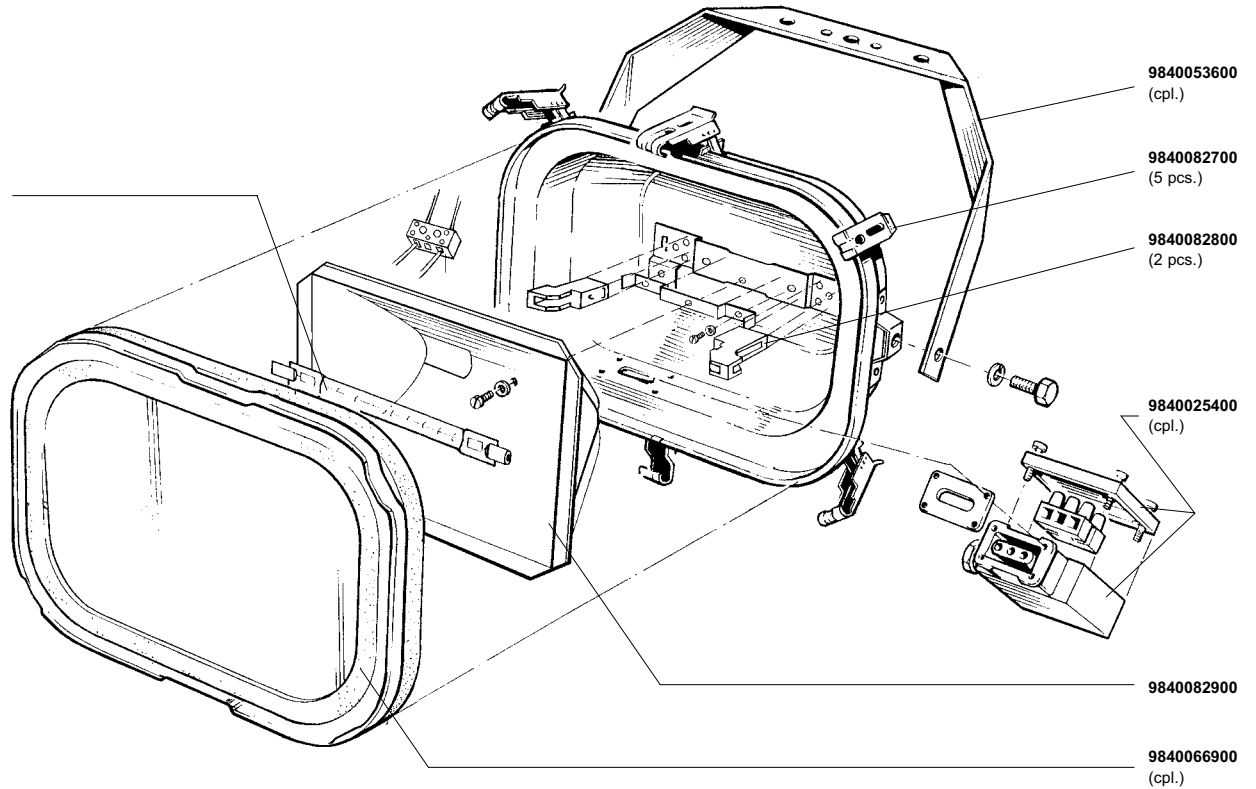
Use lamps from well-known manufacturers only

More variants are available on request. Complete assortment on www.glamox.com/gmo

Product	Part-No.	Weight	Lamp	Lamp	Light
	max. 240V	kg	Code	Base	Distribution
1076 max. 1x500W Halogen B24	1076001000	5.50	QT-DE12	R7s	A
Reflector 34° B24 = Brass cable gland M24x1.5					
Accessories	Part-No.				
Halogen lamp 200W R7s (230V, 114.2 mm)	9840104900				
Halogen lamp 300W R7s (230V, 114.2 mm)	9840102100				
Halogen lamp 500W R7s (230V, 114.2 mm)	9840042100				
Gland gasket insert 12.0-16.5 mm	8100474800				
Gland gasket insert 16.0-18.0 mm	8100475600				

Spare Parts/ Accessories

See table



Measurements are in mm