

1076 007 / 1076 009

# Floodlight for high pressure sodium lamps or metal halide lamps



- Deep drawn stainless steel housing
- High light output
- No tools required to open the housing

## Application

Decks and holds, industrial and sport areas

## Design

According to rules of maritime classification societies, additional VDE and IEC / EN

## Housing

Stainless steel deep drawn, seamless

## Finish

Powder coated white RAL 9016 and enamelled up to 70 - 80 µm thickness

## Pane

Safety glass

## Reflector

Highly polished aluminium, anodized

## Electric

Flexible wiring, silicone insulated, heat resistant up to 180° C; two exterior connection boxes with one ignition unit (each); terminal 3 - pole / 6 mm<sup>2</sup>

## Lamp base

E40



## Light sources

(Not included) High pressure sodium lamps (HS) / metal halide lamps (HI)

## Mounting

2 adjustable brackets with 2 mounting holes each, dia. 14 mm

## Cable entry

2 brass cable glands M 24 x 1.5 MGCG; standard for cable dia. 10 to 12.5 mm

## Remark

Ballast unit has to be ordered separately (see type no 1507). Use lamps from well-known manufacturers only

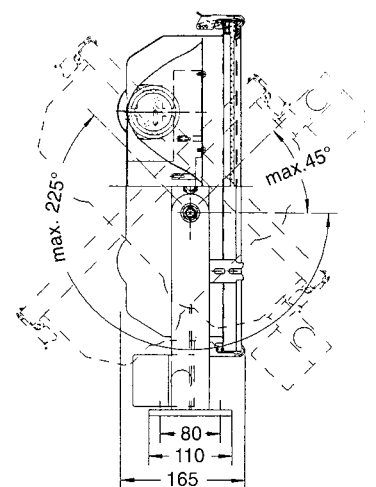
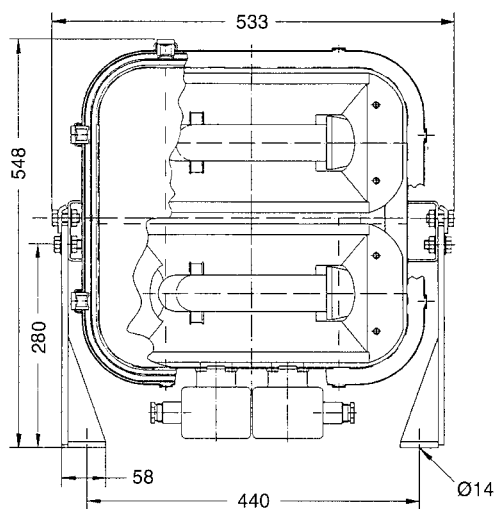
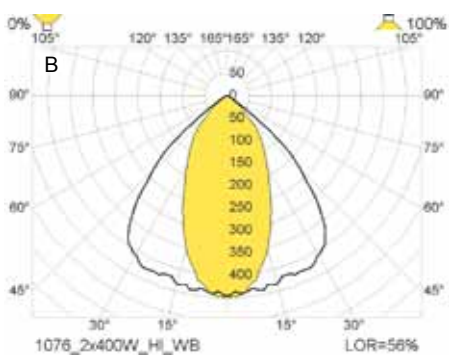
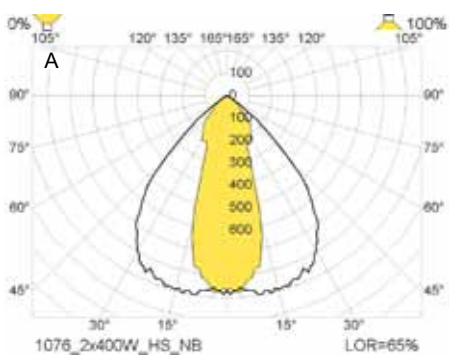
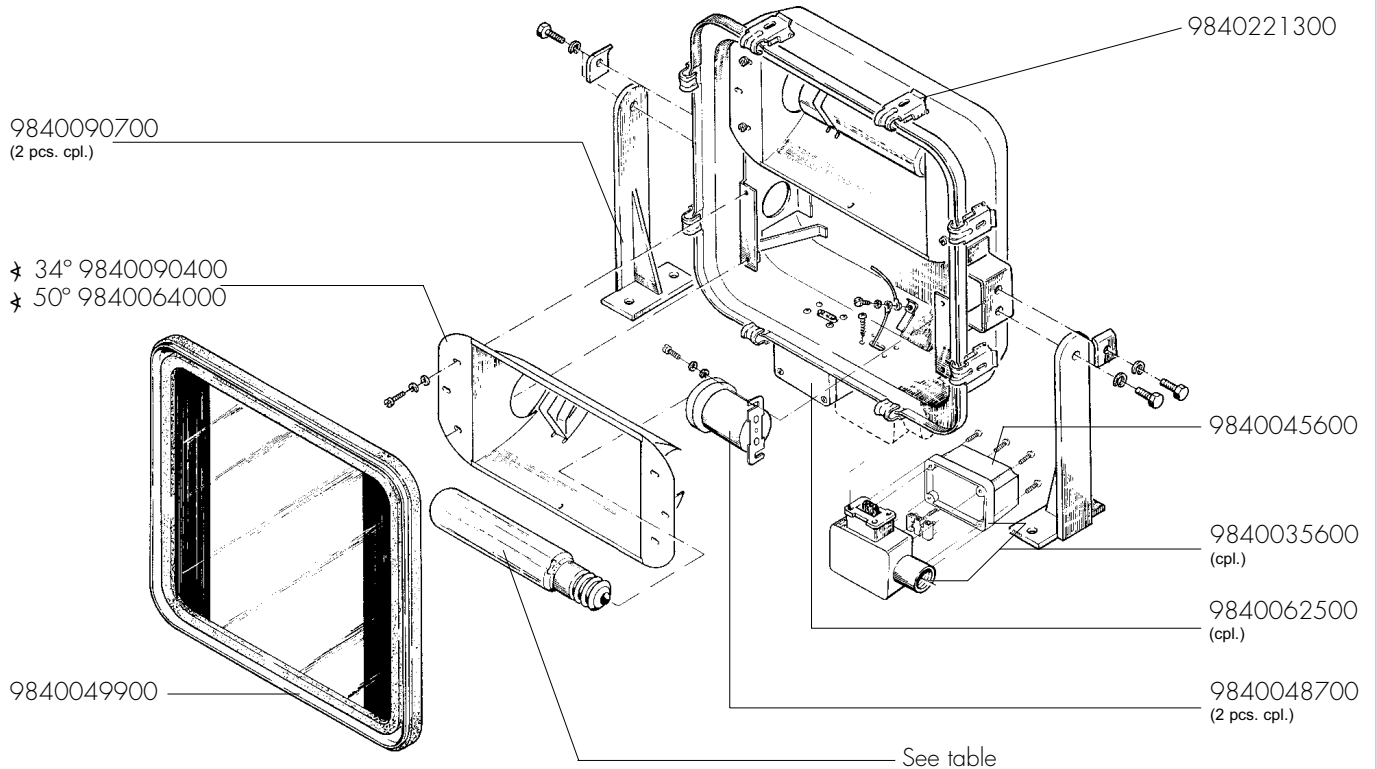
More variants are available on request. Complete assortment on [www.glamox.com/gmo](http://www.glamox.com/gmo)

Product	Part-No. max. 240V	Weight kg	Lamp Code	Lamp Base	Light Distribution
<b>1076 2x250/400W HS/Hi NB B24</b>	1076007000	13.00	HS/Hi	E40	A
<b>1076 2x250/400W HS/Hi WB24</b>	1076009000	13.00	HS/Hi	E40	B

NB = Narrow beam reflector 34° WB = Wide beam reflector 50° B24 = Brass cable gland M24x1.5

Accessories	Part-No.
<b>HS lamp 250W E40</b>	9840102600
<b>HS lamp 400W E40</b>	9840073200
<b>HI lamp 250W E40</b>	9840104100
<b>HI lamp 400W E40</b>	9840104200
<b>Gland gasket insert 12.0-16.5 mm</b>	8100474800
<b>Gland gasket insert 16.0-18.0 mm</b>	8100475600

Spare Parts/ Accessories



Measurements are in mm