

1984/1986 1984

Step light



- Timeless design
- With red shade available
- Non-glare

Application

For steps and low location illumination.

Design

According to rules of maritime classification societies, additional VDE and IEC/EN.

Housing

Zinc coated steel sheet.

Finish

Powder coated white RAL9016 and enamelled up to 70-80 µm thickness, fascia pre painted for custom made finishing after installation.

Pane

Clear polycarbonate
Pane in red available

Electric

With magnetic ballast. Flexible wiring
heat resistant up to 105°C.

Lamp base

G23

Light source

TC tubular compact fluorescent
lamp 5/7W. (not included).



Mounting

To be mounted with 4 holes, Ø4.0 mm.

Cable entry

3 grommets for max. cable diameter 11 mm.

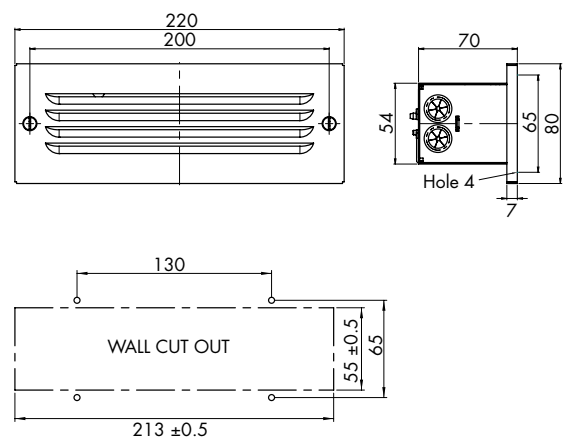
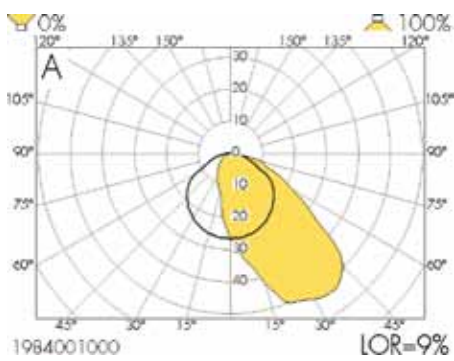
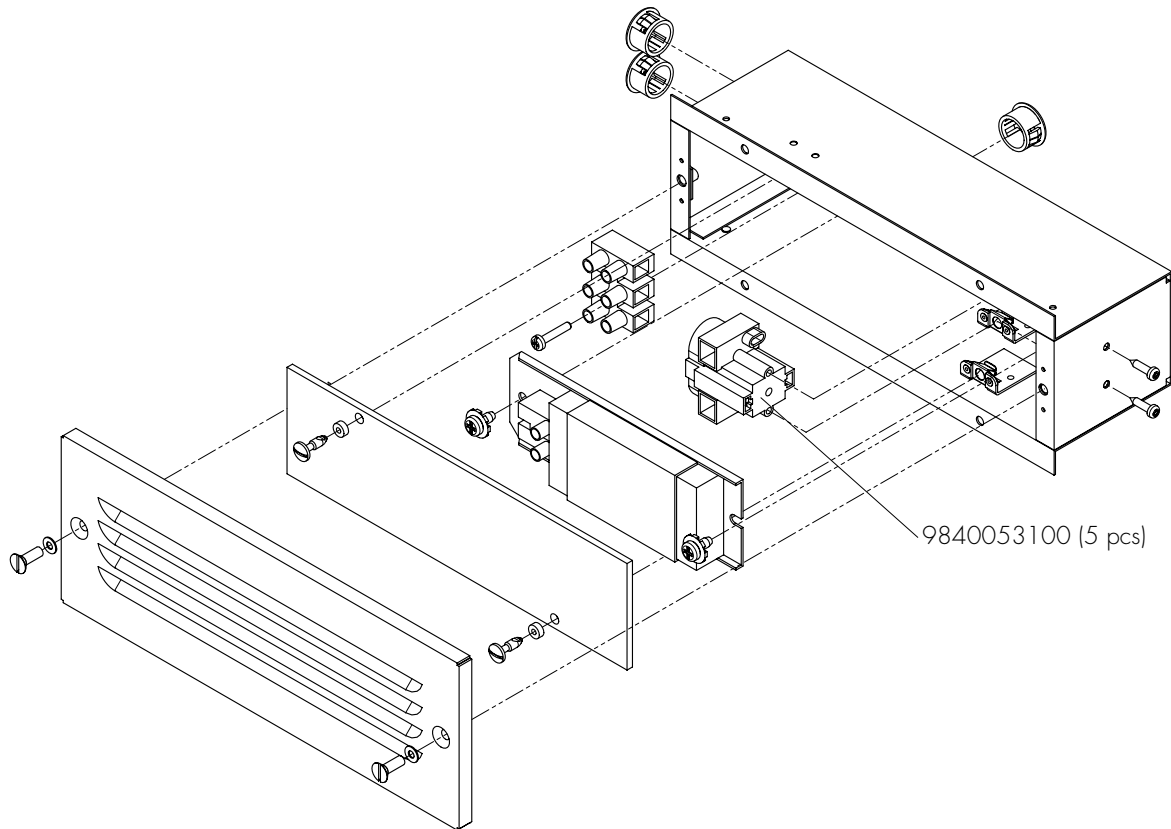
Termination

Terminal 3-pole/6 mm².

More variants are available on request. Complete assortment on www.glamox.com/gmo.

Product	Part.-No. 230/50 l.p.f.~	Part.-No. 230/60 l.p.f.~	Weight kg	Lamp Code	Lamp Base	Light Distribution
1984 STEPLIGHT	1984001000	1984003000	1.1	TC	G23	A
1984 STEPLIGHT RED SHADE	1984001004	1984003002	1.1	TC	G23	A

Spare Parts/ Accessories



Measurements are in mm