

# FL40

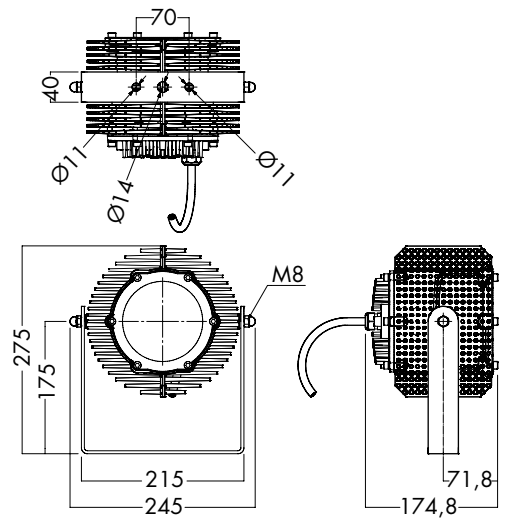
## LED Floodlight



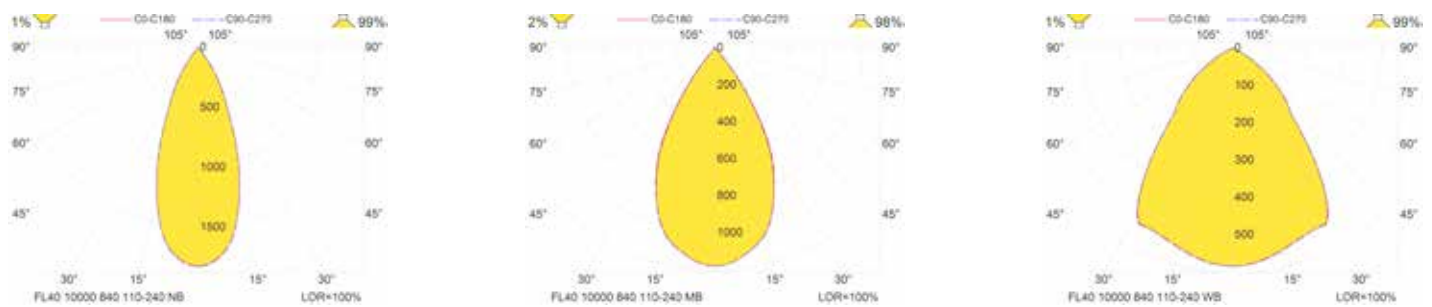
- Attractive and outstanding design for premium Cruise Ships and Mega Yachts
- Especially for over the board light, illumination of safe and rescue areas, deck areas, funnels and outdoor activity areas
- GL-Certificate
- Light Weight with 4.8 kg
- Small housing with included driver
- 99 W energy saving LED light (replaces a 500 W halogen light)
- 10,000 Lumen
- 50,000 h rated lifetime at 45°C ambient temperature
- Seawater resistant Aluminum with Stainless Steel 316L
- Impact resistant ESG (safety glass)
- Withstands water jets and immersion
- AC/DC Voltage



<b>Application</b>	Over the board, safety areas, various deck areas
<b>Housing</b>	Seawater resistant Aluminum with Stainless Steel 316L
<b>Finishing</b>	Specialized Polyester coating color RAL 9016
<b>Bracket</b>	Stainless Steel 316L
<b>Diffuser</b>	ESG (safety glass)
<b>Light source</b>	1x LED COB
<b>Light colour</b>	3000 K, 4000 K or 5000 K
<b>Light output</b>	10,000 lm
<b>CRI</b>	>80
<b>Beam</b>	SB (20°); NB (40°); MB (60°) or WB (80°)
<b>Voltage</b>	110-240 V AC/DC
<b>Power consumption</b>	99 W
<b>Power factor</b>	0.95
<b>Connection</b>	1.5 m halogen free cable, Ø 3x 1 mm <sup>2</sup>
<b>Temperature range</b>	-35°C / +45°C
<b>Protection degree</b>	IP 66/67
<b>Rated lifetime</b>	50,000 h at 45°C ambient temperature
<b>Seawater resistant</b>	✓
<b>Vibration proof</b>	✓
<b>Weight</b>	4.8 kg
<b>Certificates</b>	GL - German Lloyd
<b>Options</b>	Dimmable version, CRI >90, Connection box



All dimensions in mm.



Product	Part-No.	Voltage V	Watt W	Lumen lm	Kelvin K	Beam °
FL40 10000 840 110-240 SB	0940012000	110-240 V	99 W	10000 lm	4000 K	20°
FL40 10000 840 110-240 NB	0940014000	110-240 V	99 W	10000 lm	4000 K	40°
FL40 10000 840 110-240 MB	0940016000	110-240 V	99 W	10000 lm	4000 K	60°
FL40 10000 840 110-240 WB	0940018000	110-240 V	99 W	10000 lm	4000 K	80°
FL40 10000 850 110-240 SB	0940022000	110-240 V	99 W	10000 lm	5000 K	20°
FL40 10000 850 110-240 NB	0940024000	110-240 V	99 W	10000 lm	5000 K	40°
FL40 10000 850 110-240 MB	0940026000	110-240 V	99 W	10000 lm	5000 K	60°
FL40 10000 850 110-240 WB	0940028000	110-240 V	99 W	10000 lm	5000 K	80°
FL40 10000 830 110-240 SB	0940032000	110-240 V	99 W	10000 lm	3000 K	20°
FL40 10000 830 110-240 NB	0940034000	110-240 V	99 W	10000 lm	3000 K	40°
FL40 10000 830 110-240 MB	0940036000	110-240 V	99 W	10000 lm	3000 K	60°
FL40 10000 830 110-240 WB	0940038000	110-240 V	99 W	10000 lm	3000 K	80°