

FLS 150 / FLS 250 / FLS 400 /  
FLS 600 / FLS 800 / FLS 1200

## Floodlight High Pressure Sodium



- Designed to meet applicable marine requirements
- High light output
- Low weight

### Application

Decks and hulls, industrial and sports areas

### Design

Meet shock testing according to IEC 69-2-27 test Ea

### Housing

Housing, mounting bracket and junction box in seawater resistant aluminium

### Finish

Powder coated white RAL 9016 and enamelled up to 70 - 80 µm thickness

### Pane

Frame with safety glass and silicone gasket

### Reflector

Narrow beam (NB) or wide beam (WB) light distribution

### Electric

Flexible wiring, silicone insulated, heat resistant up to 180° C

### Lamp base

Fc2, E40, (RX7 for 150W)



### Light source

Metal halide lamp (HI) 230V with E40 or Fc2 socket (RX7 for 150W). Lamp is included

### Mounting

Adjustable bracket with three mounting holes, Ø 9mm. Bolts and nuts of stainless steel

### Cable entry

Cable gland M20

### Termination

Screw Terminal 0.5 mm<sup>2</sup> to 4 mm<sup>2</sup>



### Remarks, Options

Antidazzle shade  
Swivel arm  
Pendent mounting bracket  
Bracket for crane

More variants are available on request. Complete assortment on [www.glamox.com/gmo](http://www.glamox.com/gmo)

Ballast unit to be ordered separately

Product	Part-No. F 230/50	Part-No. F 230/60	Part-No. For separate ballast	Weight kg	Lamp Code	Base Code	Light Distribution
<b>FLS WB 150W</b>	1105104	1105106		6.6	SD	RX7	A
<b>FLS WB 250W</b>			1105152 / 1105102	5.3	ST / SD	E40 / Fc2	
<b>FLS WB 400W</b>			1105150 / 1105100	5.3	ST / SD	E40 / Fc2	
<b>FLS WB 600W</b>			1105095	5.3	ST	E40	
<b>FLS WB 800W</b>			1105158 / 1105156	10.0	ST / SD	E40 / Fc2	
<b>FLS WB 1200W</b>			1105160	10.3	ST	E40	
<b>FLS NB 150W</b>	1105105	1105107		6.6	SD	RX7	
<b>FLS NB 250W</b>			1105153 / 1105103	5.3	ST / SD	E40 / Fc2	
<b>FLS NB 400W</b>			1105151 / 1105101	5.3	ST / SD	E40 / Fc2	B
<b>FLS NB 600W</b>			1105096	5.3	ST	E40	
<b>FLS NB 800W</b>			1105159 / 1105157	10.0	ST / SD	E40 / Fc2	
<b>FLS NB 1200W</b>			1105161	10.3	ST	E40	

WB = Wide Beam, NB = Narrow Beam.

Spare Parts/ Accessories

Please specify compl. part no. of Floodlight for lamp holder compl. spare part

Lamp Base (See table)

Lamp (See table)

1009350 compl.

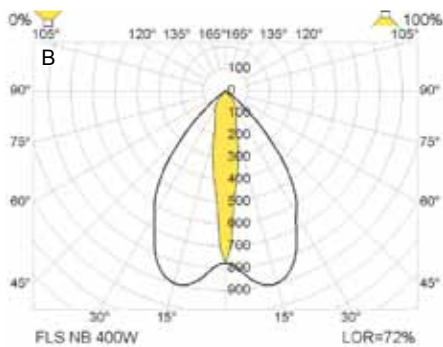
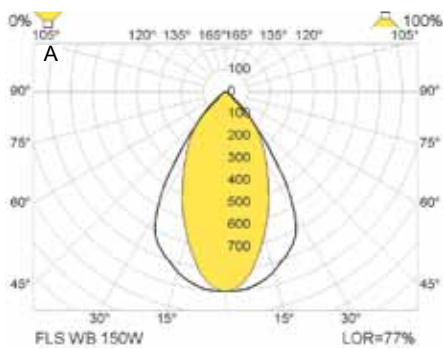
Please specify compl. part no. of Floodlight for reflector compl. spare part

1009352 Seal KIT

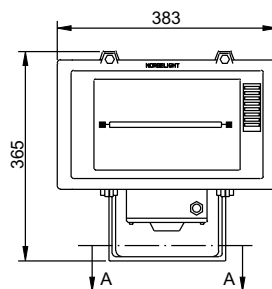
Please specify compl. part no. of Floodlight for connector spare part

Please specify compl. part no. of Floodlight for ignitor spare part

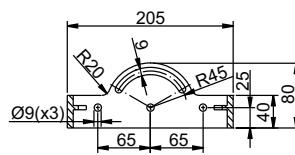
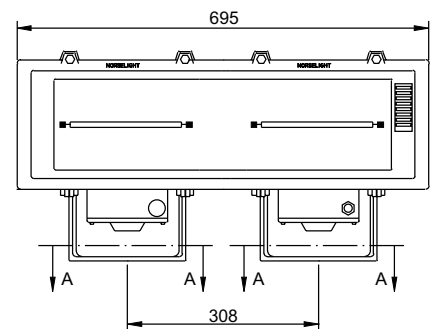
1009351 compl.



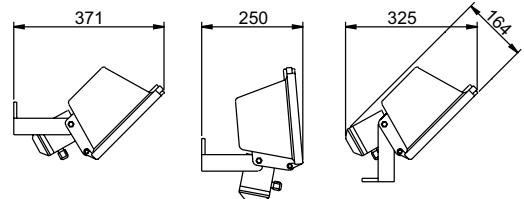
FLS 150-600W



FLS 800-1200W



Mounting bracket A - A  
Adjustable +/- 60°



Measurements are in mm

Other light distribution curves are available on request.