

GFX

Ex d - floodlight for high pressure sodium lamps or metal halide lamps



- Seawater resistant aluminium housing
- High light output
- Easy change of defective light sources

Application

Hazardous areas zone 1 and 2:

Design

According to rules of maritime classification societies, additional VDE and IEC/EN EN 60079-0:2004, EN 60079-1:2004, EN 60079-7:2003 Zone 21 and 22: EN 61241-0:2006, EN 61241-1:2004

Approval authority

Physikalisch-Technische Bundesanstalt Braunschweig, cert. no. PTB 03 ATEX 1114

Ambient temperature

- 30° C up to + 45° C

Housing

Die-casting, seawater resistant aluminium

Finish

Powder coated white RAL 9016 and enamelled up to 70 - 80 µm thickness

Pane

Safety glass



Electric

Flexible wiring, silicone insulated, heat resistant up to 180° C, Exe exterior connection box, Exe terminal 6 - pole / 6 mm²

Cable entry

1 cable gland and 1 blind plug M25 x 1.5 Exe brass nickel plated (others on request.); standard for cable dia. 10 to 17 mm

Lamp base

E40

Light sources

(Not included) High pressure sodium lamps (HS) / metal halide lamps (HI)

Mounting

Adjustable bracket with 3 mounting holes, Ø 14 mm (other mounting brackets on request)

Remark

Halogen floodlight T2 / T 209° C (On request). Use lamps from well-known manufacturers only

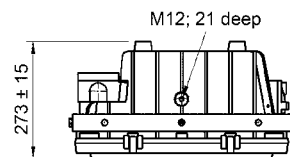
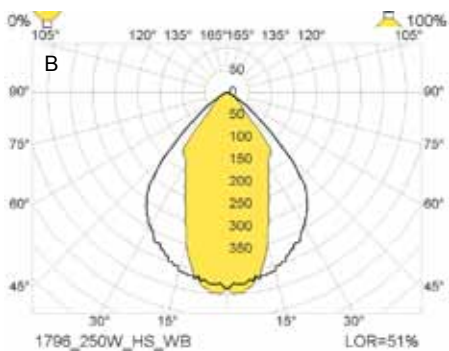
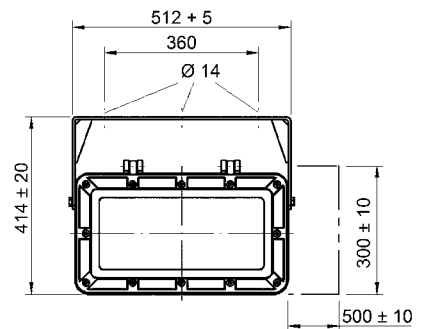
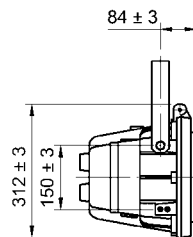
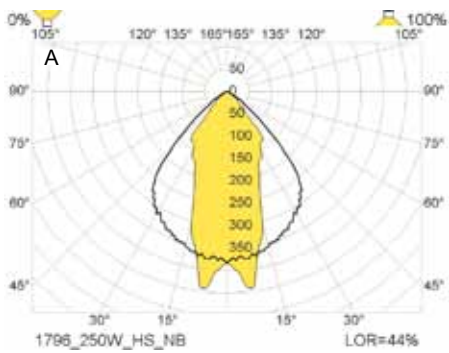
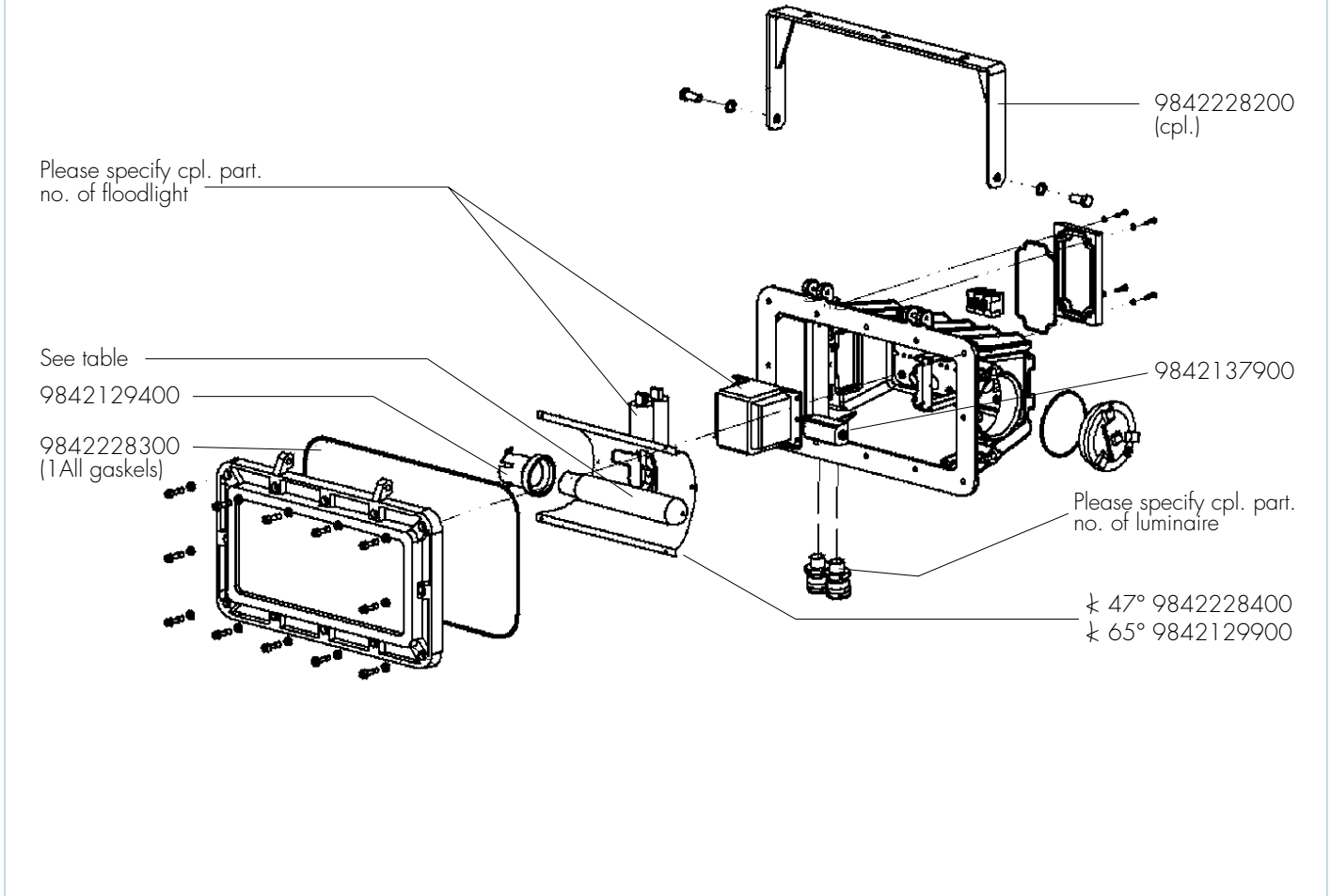
More variants are available on request. Complete assortment on www.glamox.com/gmo

| Product | Part-No. | Part-No. | Weight kg | Lamp Code | Lamp Base | Light Distribution |
|-------------------------|---------------------|---------------------|-----------|-----------|-----------|--------------------|
| | 220V/60Hz h.p.f.c.~ | 230V/50Hz h.p.f.c.~ | | | | |
| GFX 1x250W HS NB | GFX250018 W | GFX250017 W | 23.50 | HS | E40 | A |
| GFX 1x250W HS WB | GFX250022 W | GFX250021 W | 23.50 | HS | E40 | B |
| GFX 1x250W HI NB | GFX250020W | GFX250019 W | 23.50 | HI | E40 | A |
| GFX 1x250W HI WB | GFX250024 W | GFX250023 W | 23.50 | HI | E40 | B |
| GFX 1x400W HS NB | GFX400018 W | GFX400017 W | 23.50 | HS | E40 | A |
| GFX 1x400W HS WB | GFX400022 W | GFX400021 W | 23.50 | HS | E40 | B |
| GFX 1x400W HI NB | GFX400020W | GFX400019 W | 23.50 | HI | E40 | A |
| GFX 1x400W HI WB | GFX400024 W | GFX400023 W | 23.50 | HI | E40 | B |

NB = Narrow beam reflector 47° WB = Wide beam reflector 65°
h.p.f.c.~ = high power factor corrected

| Accessories | Part-No. |
|-------------------------|------------|
| HS lamp 250W E40 | 9840102600 |
| HS lamp 400W E40 | 9840073200 |
| HI lamp 250W E40 | 9840104100 |
| HI lamp 400W E40 | 9840104200 |

Spare Parts/ Accessories



Measurements are in mm