

SH 510 Suez

Suez Canal Searchlight



- Designed to meet applicable marine requirements
- Certified in accordance with Suez Canal Authorities
- Water and gas-tight drum with ventilation and safety valve

Specifications

SH 510 Suez Canal Searchlights are designed for installations on all sizes of vessels using the canal and comply fully with the regulations of the Suez Canal Authorities. The searchlight can be easily moved from the storage and mounted on deck by a single person, due to the low weight and convenient lifting handles. All the components are chosen to withstand corrosion and require minimum of maintenance. The SH 510 Suez Canal Searchlights are equipped with dual projector lamps with external switchover arrangement in case of burn out

Light source

Vessels above 30000 DWT shall be equipped with a searchlight of 3000W, and vessels less than 30000 DWT with 2000W
Lamps included

Optics

SH 510 produces two horizontal lightbeams of 5° with a dark central sector of 10°. SH 510 is delivered with hardened temperature resistant front glass and controllable split reflector, made of durable silver-plated glass



Options

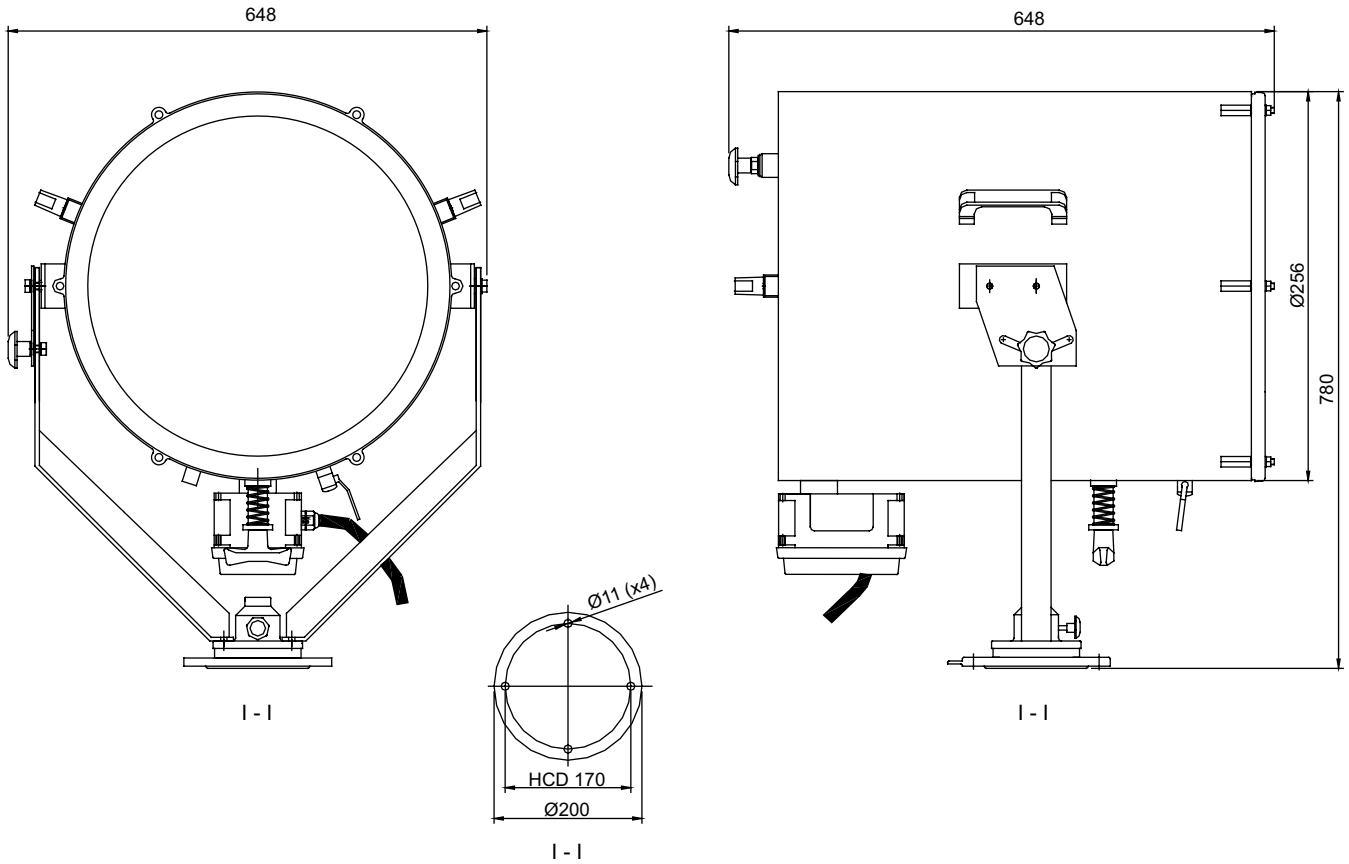
- Storage bow
- Eex de IIC T6 plug, socket and switch
- IP56 plug and socket
- Front glass cover
- Canvas cover


More variants are available on request. Complete assortment on www.glamox.com/gmo


Product	Part-No. 115V	Part-No. 220V	Range (m)*	Angel α°	Weight kg	Lamp Code	Base Code
SH 510 2000W		2005005	1850	2x5°	30.0	1009202	GY16
SH 510 2000W	2005007		1850	2x5°	30.0	1009311	GY16
SH 510 3000W		2005006	2056	2x5°	30.0	1009208	G-38
SH 510 3000W	2005008		2056	2x5°	30.0	1009367	G-38

* Theoretical estimated range at 1 lux.

Spare Parts/ Accessories



 Light sector to Bridge wing projector

 Light sector to Suez

