

Series 55

Steering light blue



- Indication of ships movement

Application

Early indication of ship's movement when operating in narrow waterways or passing canals etc

Housing

Glass fibre reinforced polycarbonate and stainless steel. Other components of non-corrosive materials. Nonmagnetic, sea-water resistant

Housing colour

Mat black and steel coloured

Optics

Wheel cross in two sizes suiting the ship's length included

Electric

Wiring with 1.5 m special cable
3 x 1.5 mm²

Lamp

(included) Easy to change bulb with lamp base B 22

Mounting

Base flange attachment, 4 screws
Ø8 mm (not included)

Cable insert

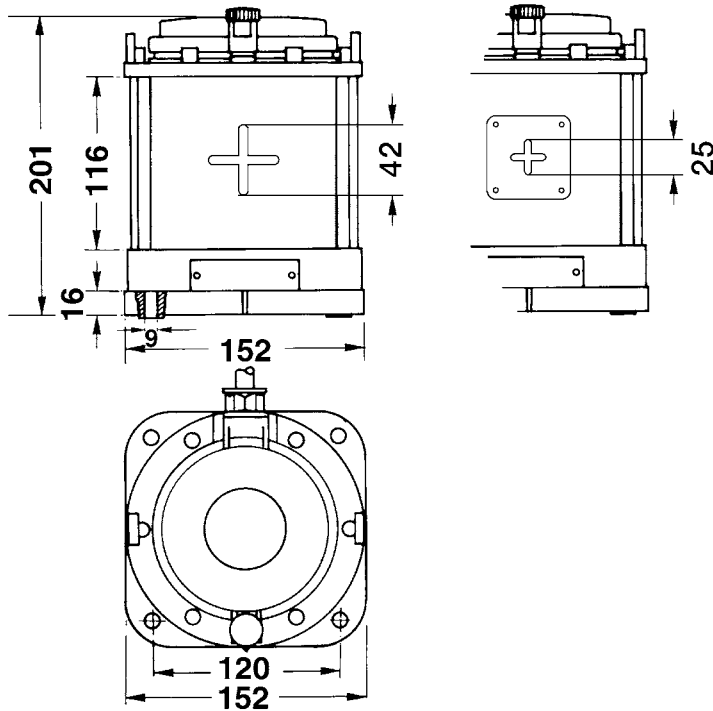
PG 13.5 with buckling protection



More variants are available on request. Complete assortment on www.glamox.com/gmo

Product	Part-No. 24V	Part-No. 115V	Part-No. 230V	Weight kg	Base Code
STEERING LIGHT BLUE	3533553000	3533554000	3533555000	1.35	B22

Spare Parts/ Accessories



Part. No. Spare parts + Extras		
Lamp	24 V / 25 W	90400061
B 22	115 V / 25 W	90400132
	230 V / 25 W	90400133
Lamp base B22		83533013
Screening (cross)		83533012
Screening (stern)		23533001
Optic blue		63533053
Cable		90300087
Fastening bolts + nuts (4 off)		83532002