

Corridor fixture for cornice installation



- Designed for corridor lighting
- Efficient lighting of floor area
- Emergency light system available

Application

Corridor lighting for mounting in corner on wall or ceiling.

Design

Rectangular design.

Housing

Steel housing with screw fixing steel end caps.

Finish

Powder coated white RAL9016.

Diffuser

Opal polycarbonate diffuser in V0 quality.

Reflector (Optic)

No reflector

Electric

With electronic ballast. Variants with magnetic ballasts available on request.

Lamp base

G13

Light source

T26 (T8) 18 or 36W.



Mounting

To be installed directly to wall or ceiling.

Cable entry

Two holes Ø20.5 mm with rubber grommet on top, and one at rear side. Knock outs in end caps.

Termination

One 3-way push in terminal block, 2 x 2.5 mm².



B15 Emergency lamp

T_a=45°C

Product	Part-No.	B	L	H	Weight	Lamp Code	Lamp Base
	HF	mm	mm	mm	kg		
TL12-W137 118 OP	K38123263	137	636	63	2.5	T26(T8)	G13
TL12-W137 136 OP	K38143263	137	1248	63	4.1	T26(T8)	G13

Spare Parts

Diffuser, opal polycarbonate
1x18W 6002113332
1x36W 6002113333

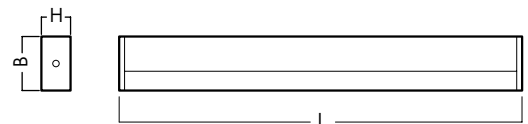
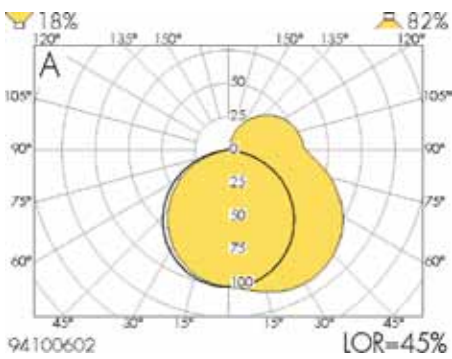
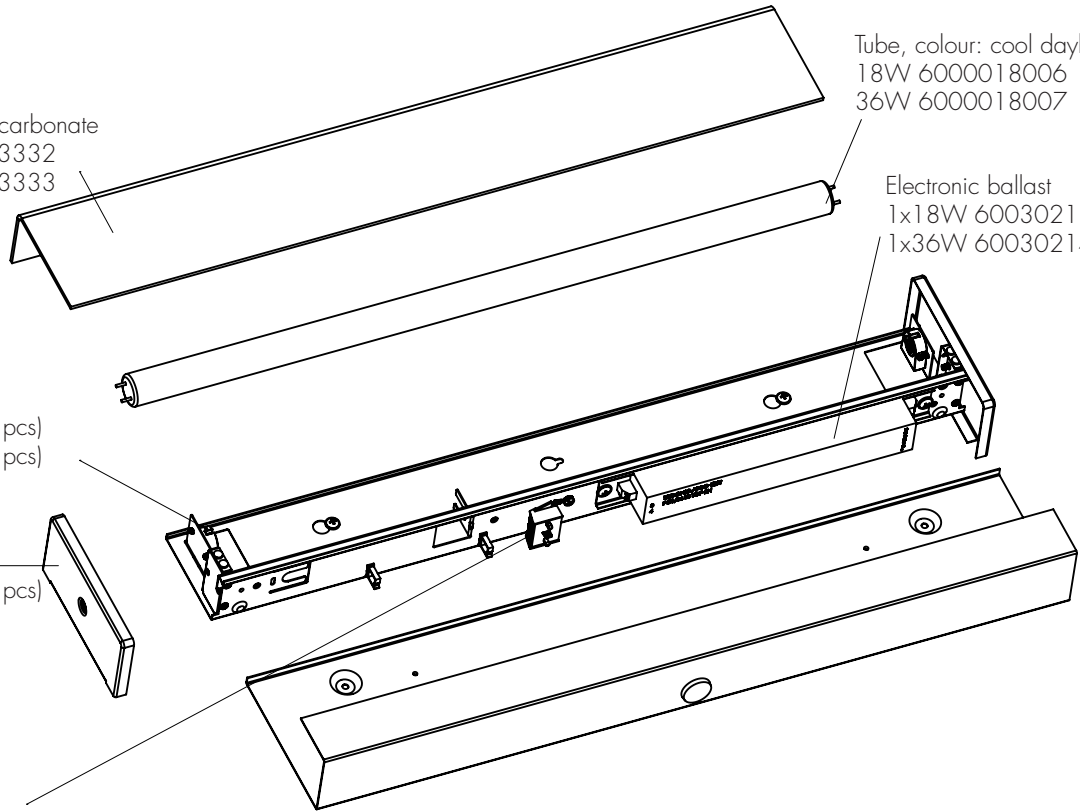
Lampholder
6003111301 (5 pcs)
6003131301 (5 pcs)

End cap
6001210835 (2 pcs)

Terminal block
3P 6003510000 (2 pcs)
5P 6003510005 (2 pcs)

Tube, colour: cool daylight
18W 6000018006
36W 6000018007

Electronic ballast
1x18W 6003021200
1x36W 6003021400



Measurements are in mm