

DL60-R92 LED

LED Downlight



The DL60 LED is a new modern slim downlight family with built-in LED, that replaces halogen and compact tubes. DL60 runs on low energy and has a long lifetime. It comes with a wide range of trims and decors and is easy to install.

The downlights trims are available in white, brass or chrome. DL60 LED downlights have light source and driver included. DL60-R92 are IP55 under ceiling with an extra IP55 decor in front.

The recessed downlights are approved for marine use.

DL60-R92 LED

TECHNICAL DESCRIPTION

LIGHT SOURCE

DL60-R92 LED 500:
LED 500 lumen 830, 840 on request. Replaces halogen 20 to 35W.

OPTIC

The reflector is available in faceted high gloss (SF) surface/finish. Reflector is built into a light chamber that reduces glare through a plate. Two different beam angles 12° or 36°. Delivered with a dust cover for protection during the building period.

ELECTRIC

With electronic driver HF, analogue dimming HFDa (1-10V) or DALI dimming

HOUSING

Solid die cast aluminum. Option for slim trims in white (WH), chrome (CH) or brass (BR). Can be delivered with or without (WO TR) trim. Option for an IP55 decor that gives IP55 under ceiling.

APPLICATION

For crew and public areas as cabins, corridors, stair cases, lounges and shopping areas.

DESIGN

According to marine requirements

MOUNTING

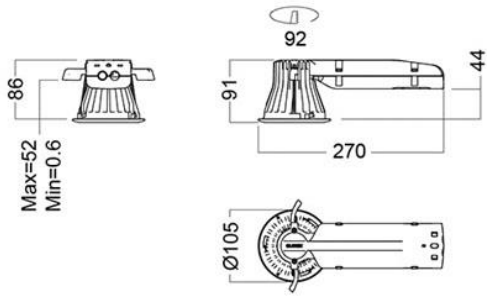
Recessed mounting, fixed with 2 adjustable suspension arms. Possibility for screw mounting. Possible to reduce height above ceiling with a distance ring that can be ordered as accessory. For B0 or B15 fire protection look at service manual.

CONNECTION

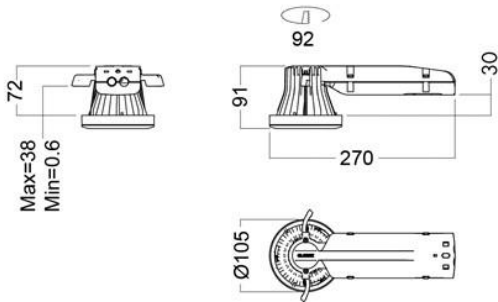
To be delivered with quick connector 1 or 2 x Ensto NAC (QCE), or with push in terminal block 3 or 5 x 2 x 2.5 mm². Possibility for 2 cables in or out. Quick connector Wago Midi (QCA) on request.

DL60-R92 LED

MEASUREMENT DRAWINGS



Max ceiling thickness 25 mm



Max ceiling thickness 25 mm

DL60-R92 with distance ring

DL60-R92 LED

GALLERY

