

Explosion proof Ex e Zone 1

Explosion proof Ex e lighting fixtures



Explosion proof Ex e lighting fixtures are applicable for hazardous areas, zone 1. They are designed to meet IEC, Ex and maritime requirements.

High quality explosion proof Ex e lighting fixtures are available with different housing. You can choose models with e.g. aluzink, zinc coated steel or stainless steel (AISI 316L). There are also types with battery back up system. For marine outdoor installation please use stainless steel housing.

MAX

the housing is made of aluzink (MAXZ) or stainless steel (MAXS), emergency model is supplied with an external battery box for lower temperature of the battery to increase the lifetime in warm areas. All electronic on gear tray.

Special version with heating and LED light source **MAX ICE**, the first Ex e fixture with LED on the market

0272

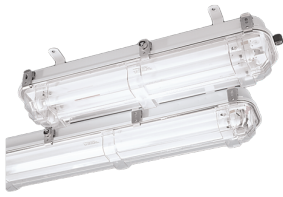
the housing is made of zinc coated steel or stainless steel, emergency model is supplied with an internal NiCd battery for higher temperature of the battery to increase the capacity in cold areas. All electronic on gear tray

0285

the housing is made of zinc coated steel or stainless steel, emergency model is supplied with an internal NiCd battery for higher temperature of the battery to increase the capacity in cold areas.

Reinforced diffuser.

Explosion proof Ex e Zone 1



0285



0272



MAX



MAX ICE



MAX, CSA certified

TECHNICAL DESCRIPTION

MOUNTING

Variants of mounting brackets available.

MAX with fixed end brackets as standard, available with M8 hood nuts on request

0272/0285 with welded brackets with 2 holes each

ELECTRIC

Ex e-fixtures will be delivered with electronic ballast and are available with battery backup emergency light with 90 or 180 minutes duration.

All Ex classified fixtures will have certified cable glands M20 or M25.

Switches to cut of power operated by the diffuser make lamp change possible without disconnecting the circuit.

MAX emergency version with external battery box 90 or 180 minutes duration

0272/0285 emergency version with integrated battery 180 minutes duration

HOUSING

MAX deep drawn aluzinkl or stainless steel (AISI316L)

0272/0285 deep drawn zink coated steel or stainless steel (AISI316L)

LIGHTSOURCE/OPTIC

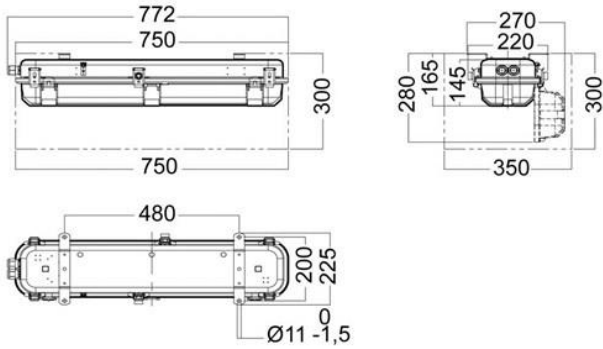
Designed for T8 tubes in 18W or 36W

MAX/0272 white geartray and clear polycarbonate diffuser

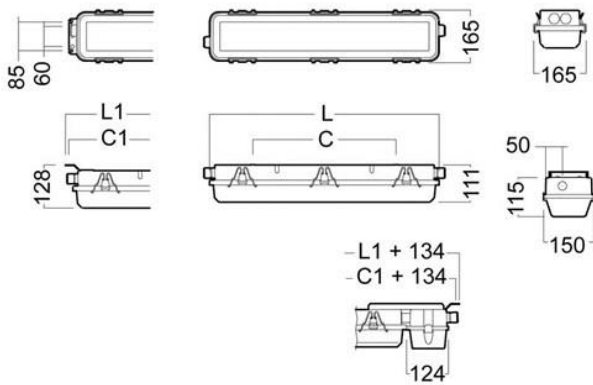
0285 white metal sheet covering the components

Explosion proof Ex e Zone 1

MEASUREMENT DRAWINGS

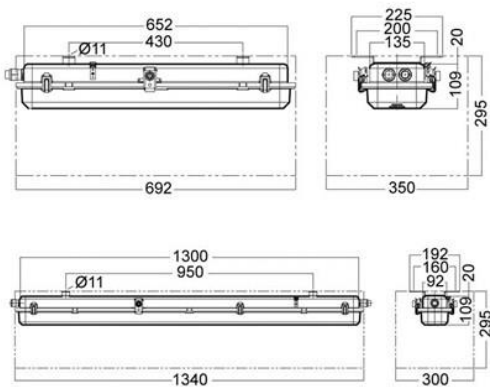


0285 2x18W



MAX LED	L1	C1	L	C
MAX-600 LED	724	704	681	430
MAX-1200 LED	1334	1314	1291	950

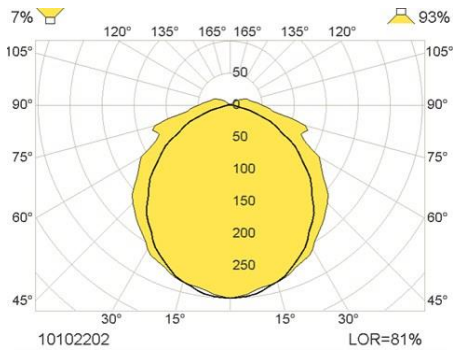
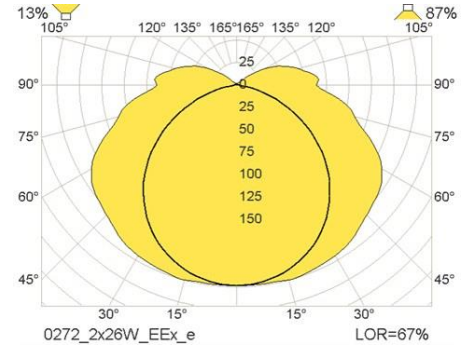
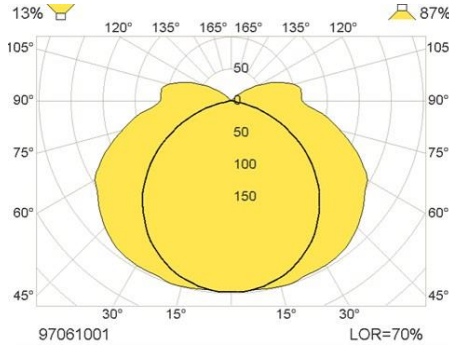
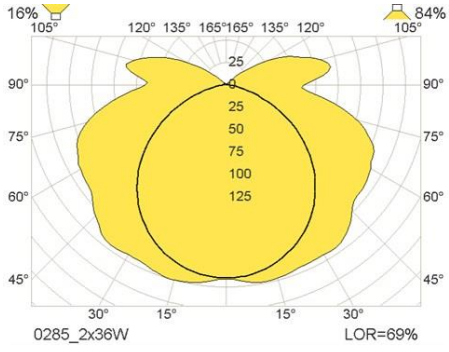
MAX



0272

Explosion proof Ex e Zone 1

LIGHT MEASUREMENT DRAWINGS



GALLERY



MAX battery box