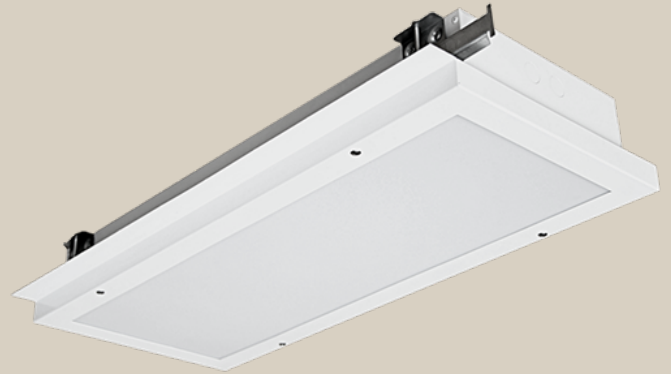


TL11 LED

LED luminaire for recessed installation



For recessed installation in solid ceilings where IP44-rating is required (DP and OP variants). According to maritime requirements.

Robust steel housing and steel frame fits to housing with screws. Powder coated white RAL9016. Double prismatic (DP) or Opalic (OP) plastic sheet in steel frame (IP44) or White grid (WG) plastic in frame (IP20). Suspension brackets (MNT-S) are included for TL11-R222; for TL11-R250 they have to be ordered as accessories.

TL11-R250 LED is designed for solid ceilings. It can be used for retrofit since it fits to old cut outs for old aquas signal 1226 and old Glamox GIM with T8/T12.

TL11-R222 LED is specially designed for shadow panels as Danacoustic or Dampa M3.

Emergency box EB3 has to be ordered as accessory for TL11-R EB3 LED versions. Emergency is integrated at TL11-R E3 fluorescent.

TL11 LED



TL11-R250 LED



TL11-R222 LED

TL11 LED

TECHNICAL DESCRIPTION

LIGHT SOURCE

LED 830, 840 or 850 on request

ELECTRIC

With electronic driver HF, with analogue dimming HFda 2 - 10 V or with emergency HF-EB. External battery box to be ordered separately. DALE on request.

HOUSING

Steel housing and steel frame that fits to housing with screws.

APPLICATION

For recessed installation in solid ceilings, where IP44-rating is required (DP and OP variants).

DESIGN

According to maritime requirements.

FINISH

Powder coated with RAL9016.

DIFFUSER

Double prismatic (DP) or Opalic (OP) plastic sheet in steel frame (IP44).

REFLECTOR

No reflector

MOUNTING

TL11-R222:

To be installed in ceiling cut out with adjustable suspension brackets.

Suspension brackets is included.

TL11-R250:

To be installed in ceiling cut out with adjustable suspension brackets.

Suspension brackets to be ordered separately.

CABLE ENTRY

Two holes Ø 20,5 mm with rubber grommet on top and two knock outs Ø 20,5 mm in each end.

TERMINATION

One 5-way push in terminal block, 2 x 2,5 mm².

REMARKS

TL11-R222:

Emergency battery box to be ordered separately.

TL11-R250:

Variants to adaption to panel ceiling available on request.

Emergency battery box to be ordered separately.

Cut out dimensions:

1200 / 1400 W: 285 x 630 mm

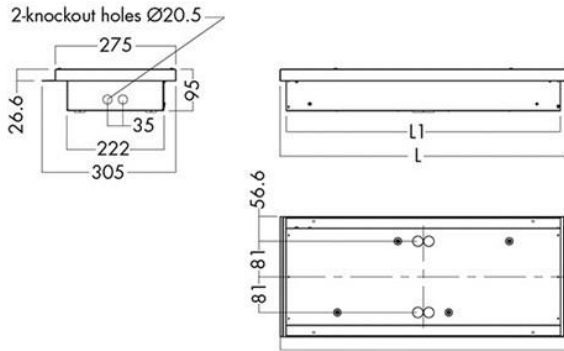
2400 / 2800 W: 285 x 1240 mm

OPTIC

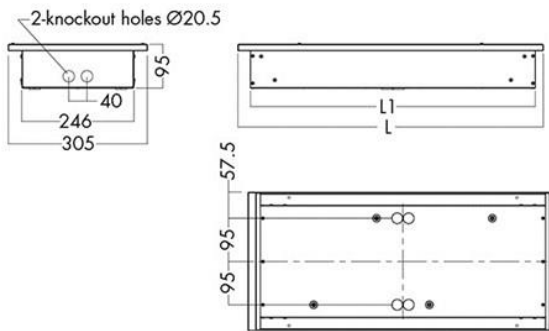
Double prismatic (DP) or Opalic (OP) plastic sheet in steel frame (IP44)

TL11 LED

MEASUREMENT DRAWINGS



TL11-R222 LED



TL11-R250 LED

Product	HF	HFDo	HF-EB3	HF-EB3	L	L1	Weight	Weight HF-EB	Lamp
	100/240V	220/240V	220/240V	120V	mm	mm	HF/HFDo	220/240V 120V	code
TL11-R250 LED 1500 830 DP	TL25283111	TL25283201	TL25283401	TL25283411	670	625	5	5.1	6.1 LED
TL11-R250 LED 1300 830 CP	TL25283102	TL25283202	TL25283402	TL25283412	670	625	5	5.1	6.1 LED
TL11-R250 LED 3000 830 DP	TL25483101	TL25483201	TL25483401	TL25483411	1280	1236.5	8.6	8.8	10.6 LED
TL11-R250 LED 2600 830 CP	TL25483102	TL25483202	TL25483402	TL25483412	1280	1236.5	8.6	8.8	10.6 LED

Accessories	Part-No.	Weight
TL11-R EB3 battery box 1200/1400 3.6V 4Ah	6003613601	1.39
TL11-R EB3 battery box 2400/2800 4.8V 4Ah	6003614801	1.52
WNTS TL11-R250	TL11210003	

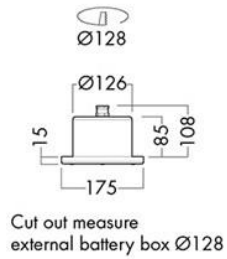
TL11-R250 LED item table and dimensions

Product	HF	HFDo	HF-EB3	HF-EB3	L	L1	Weight	Weight HF-EB	Lamp
	100/240V	220/240V	220/240V	120V	mm	mm	HF/HFDo	220/240V 120V	code
TL11-R222 LED 1400 830 DP	TL22283101	TL22283201	TL22283401	TL22283411	653	625	5	5.1	6.1 LED
TL11-R222 LED 1200 830 CP	TL22283102	TL22283202	TL22283402	TL22283412	653	625	5	5.1	6.1 LED
TL11-R222 LED 2700 830 DP	TL22483101	TL22483201	TL22483401	TL22483411	1261	1236.5	8.6	8.8	10.6 LED
TL11-R222 LED 2400 830 CP	TL22483102	TL22483202	TL22483402	TL22483412	1261	1236.5	8.6	8.8	10.6 LED

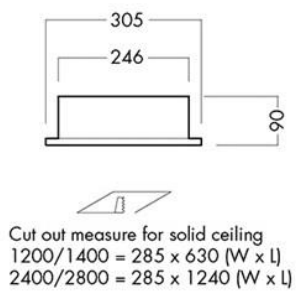
Accessories	Part-No.	Weight
TL11-R EB3 battery box 1200/1500 3.6V 4Ah	6003613601	1.39
TL11-R EB3 battery box 2400/2800 4.8V 4Ah	6003614801	1.52

TL11-R222 LED item table and dimensions

TL11 LED



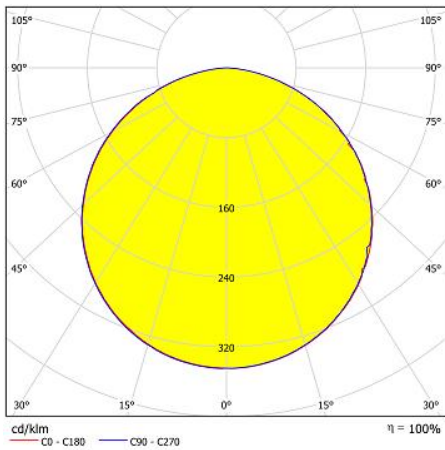
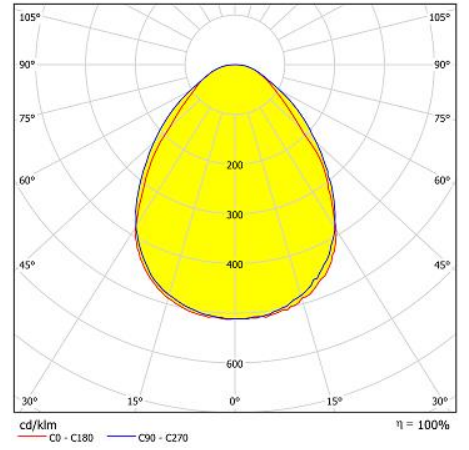
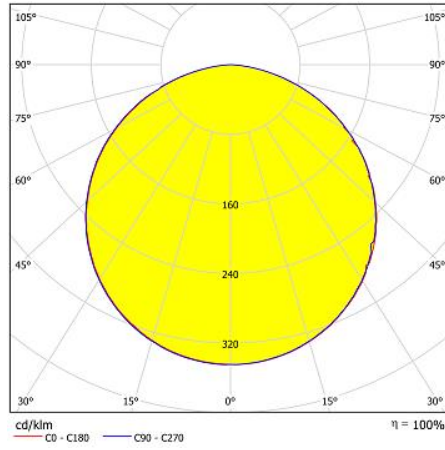
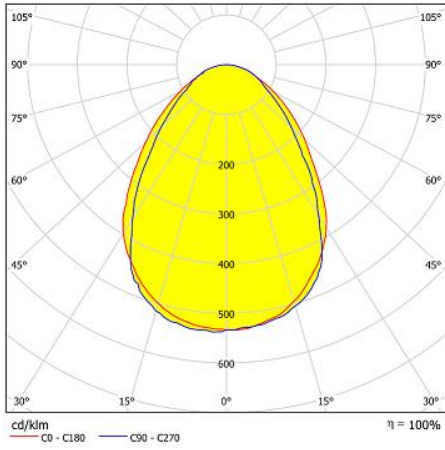
TL11 LED cut-out external battery



TL11 LED cut-out solid ceiling

TL11 LED

LIGHT MEASUREMENT DRAWINGS



TL11 LED

EXPLOSION DRAWINGS

