

Electric heater for marine and offshore installations



- Elegant heater
- Low surface temperature
- Non-corrosive materials

Application

For mounting indoor for use in all rooms where there is no need for a splash-proof heater.

Design

Flow through marine heater, designed according to maritime requirements.

Housing

Aluminium housing with a protection grating on top.

Finish

Powder coated white RAL9016.

Electric

With on/off switch, bi-metal thermostat and thermal cut-out protection.

Mounting

Wall mounted with included solid brackets.

Cable entry

Two holes for cable entry on the back, right side.

Termination

Screw type terminal block.

Remarks

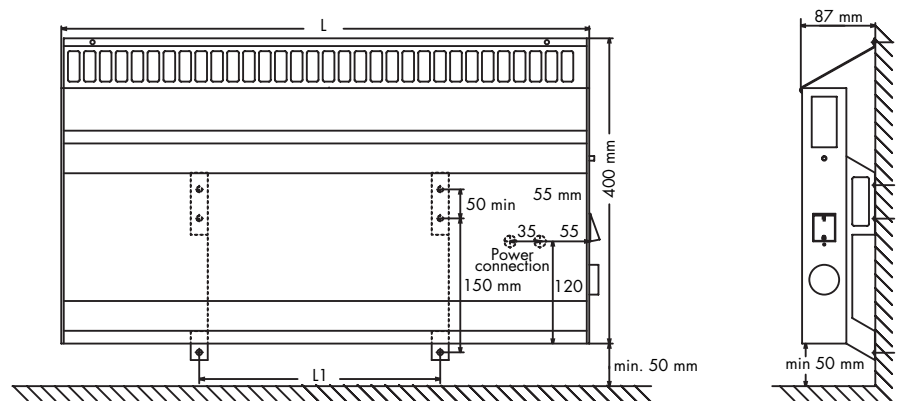
- Minimum distance to nearest sidewall = 2 cm
- Minimum distance to floor = 5 cm
- Minimum distance to window sill, etc. = 15 cm



Cable entry rear side



Temperature control right end



Product	Effect	Part-No. 230V	Part-No. 400V	L mm	L1 mm
	W				
FIB 05	500	54 494 80	54 494 83	620	283
FIB 075	750	54 494 81	54 494 84	920	583
FIB 10	1000	54 494 82	54 494 85	1220	883