

# Splash-proof heater for marine and offshore installations



- Low surface temperature
- Non-corrosive materials
- Splash-proof, IP44

## Application

For mounting indoor in damp accommodations, such as bathrooms and WC's.

## Design

Flow through marine heater, designed according to maritime requirements.

## Housing

Aluminium housing with a protection grating on top.

## Finish

Powder coated white RAL9016.

## Electric

With on/off switch, bi-metal thermostat and thermal cut-out protection.

## Mounting

Wall mounted with included solid brackets.

## Cable entry

Two holes for cable entry on the back, right side.

## Termination

Screw type terminal block.

## Remarks

- Minimum distance to nearest sidewall = 2 cm
- Minimum distance to floor = 2 cm
- Minimum distance to window sill, etc. = 38 cm

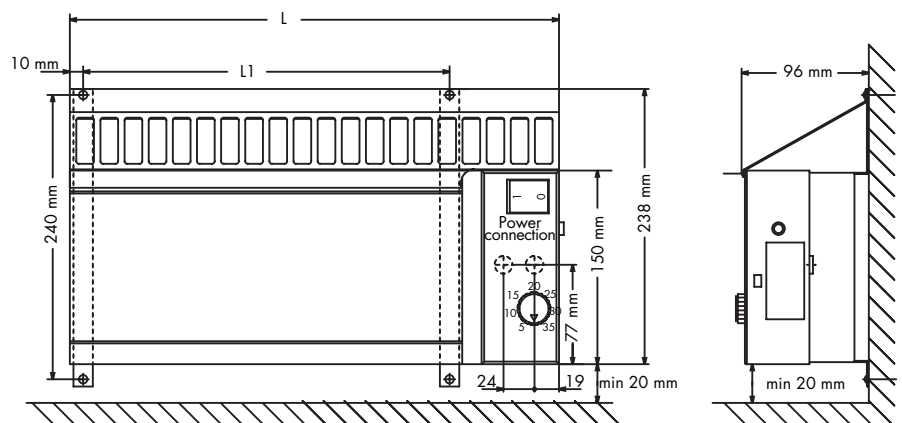
DNV approved, Germanisher Lloyd on request



Cable entry rear side



Temperatur control on front right side



| Product          | Effect<br>W | Part-No.<br>230V | Part-No.<br>400V | L<br>mm | L1<br>mm |
|------------------|-------------|------------------|------------------|---------|----------|
| <b>T2RIB 025</b> | 250         | 54 494 56        | 54 494 57        | 379     | 285      |
| <b>T2RIB 03</b>  | 300         | 54 494 60        | 54 494 61        | 379     | 285      |
| <b>T2RIB 04</b>  | 400         | 54 494 64        | 54 494 65        | 379     | 285      |
| <b>T2RIB 08</b>  | 800         | 54 494 68        | 54 494 69        | 629     | 535      |
| <b>T2RIB 12</b>  | 1200        | 54 494 72        | 54 494 73        | 869     | 775      |
| <b>T2RIB 16</b>  | 1600        | 54 494 76        | 54 494 77        | 1134    | 1040     |
| <b>T2RIB 20</b>  | 2000        | 54 494 90        | 54 494 91        | 1395    | 1300     |